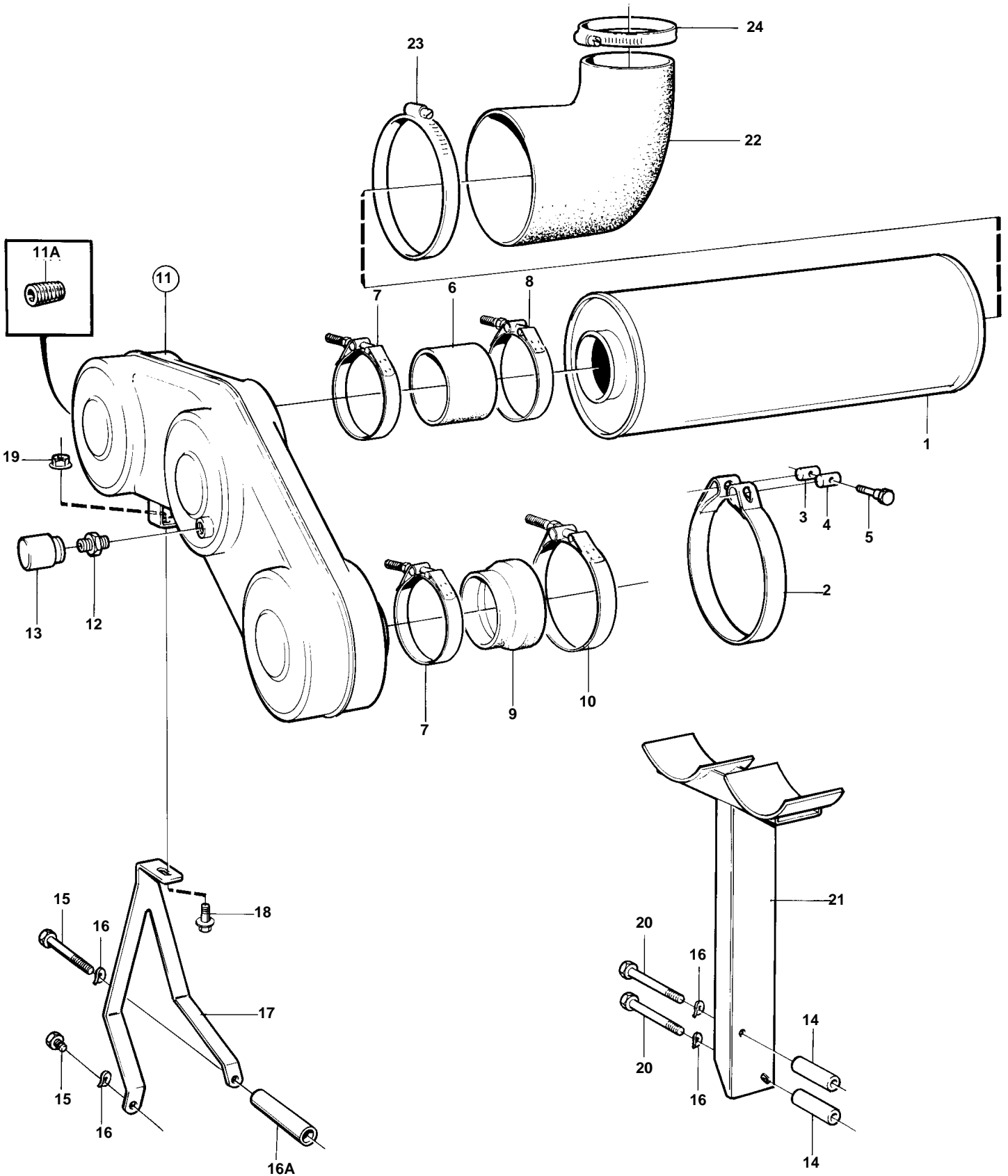


TAD1030V



TAD1030V

REF	PART NO.	QTY	DESCRIPTION	SEE SEC.	NOTES
1	3826215	2	Air filter kit · Bulletin 47-10	47-10-EN	New air filter for 16L Industrial engines
2	848922	2	Tensioning band		
3	31404	2	Pin		
4	31405	2	Pin		
5	31406	2	Screw		
6	865154	2	Rubber collar		
7	1544734	3	Hose clamp		
8	1660378	2	Hose clamp		
9	866136	1	Sleeve		
10	1544735	1	Hose clamp		
11	3825972	1	Connection pipe		
11A	479977	1	· Plug		
12	191095	1	Nipple		
13	3828765	1	Pressure drop indica		(842037)
14	807425	2	Spacer sleeve		
15	949886	1	Screw		L=108mm
	940133	1	Screw		L=16mm
16	941907	4	Spring washer		
16A	833244	1	Spacer sleeve		
17	865178	1	Bracket		
18	946173	1	Flange screw		
19	948645	1	Lock nut		
20	955529	2	Screw		
21	866005	1	Bracket		
22	865197	2	Hook		For air intake from outside the engine room.
23	979654	2	Hose clamp		
24	961678	2	Hose clamp		